



## **ARCHITECTURAL REVIEW COMMITTEE MEMORANDUM**

DATE: APRIL 4, 2022 NEW BUSINESS

SUBJECT: MINDY REED, OWNER, REQUESTING A LAND USE PERMIT AND A WAIVER TO CONTINUE THE USE OF AN ENLARGED PARKLET LOCATED AT 140 SOUTH PALM CANYON DRIVE, ZONE CBD, (CASE 21-096 LUP). (AP)

FROM: Department of Development Services

---

### SUMMARY & PROJECT DESCRIPTION:

This is a request for a Land Use Permit and waiver to continue the use of a 393-square foot parklet to provide more areas for outdoor dining. The waiver is required because the parklet extends beyond the business store front; however, it is not wider than the width of an on-street parking space. The proposed parklet is enclosed on three sides by a 43" high decorative metal railing. The parklet deck is flush with the city curb and will either be constructed using composite organic bamboo material or brick pavers to match the adjacent sidewalk. The parklet will be designed to allow water to drain along the existing gutter. Existing furniture and planters will be able to withstand the natural elements of the Coachella Valley. Shade will be provided by red/orange and blue umbrellas. A new sign, located on the front of the parklet, is 12-square feet and complies with the PSZC sign ordinance.

### RECOMMENDATION:

That the Architectural Review Committee approve the application subject to the following conditions:

- Remove all metal planters.
- Remove K-rails, except for the safety K-rail on the north side of the parklet. Said K-rail shall be screened from the public view and installed behind parklet barrier.
- Remove all but one sign on the parklet structure.
- Reduce the width of the parklet to 8 feet, which should be measured from the face of curb to the light fixtures and the cantilever wooden structure.

### BUSINESS PRINCIPAL DISCLOSURE:

A copy of the Public Integrity Disclosure form is attached to the end of this report.

**BACKGROUND INFORMATION:**

<i>Surrounding Business Notification</i>	
03/24/22	Notice sent to surrounding property owners within 150-feet, notifying them that the Architectural Review Committee would review the project.

<i>Field Check</i>	
03/15/22	Staff visited the site to observe existing conditions.

**STAFF ANALYSIS:**

<i>Site Area</i>	
Net Acres	2.54 Acres

<i>General Plan Areas or Master Plan Areas</i>	<i>Compliance</i>
CBD (Central Business District)	Y
<i>Specific Plan Area</i>	<i>Compliance</i>
Downtown Specific Plan	Y

<i>Surrounding Property</i>	<i>Existing Land Use Per Chapter 92</i>	<i>Existing General Plan Designation</i>	<i>Existing Zoning Designation</i>
Subject Property	Restaurant	CBD	CBD
North	Retail	CBD	CBD
South	Sees Candy	CBD	CBD
East	Restaurant	CBD	CBD
West	Retail	CBD	CBD

**PARKLET DESIGN REVIEW CHECKLIST:**

<b>LOCATION REQUIREMENTS</b>		
Parklet extends no more than width of the on-street parking space.	Y	
Parklet does not extend beyond tenant space.		N*
Parklet located on one frontage only.	Y	
<b>PARKLET STRUCTURE</b>		
Parklet base provided flush with sidewalk; allows for flow of stormwater.	Y	
Parklet decking materials conform to list of permitted materials.	Y	
Parklet decking color conforms to list of permitted colors.	Y	
Railing provided; railing height is between 36" and 43".	Y	
Railing materials conform to list of permitted materials.	Y	
Railing color conforms to list of permitted colors.	Y	
Retro Reflective tape is placed on parklet.	Y	
<b>UMBRELLAS</b>		

Umbrella(s) allow for 7' minimum clearance; max. 10' height.	Y	
Umbrella material is non-flammable or flame retardant.	Y	
Umbrella color is consistent with general color theme of restaurant.	Y	
No text or logos on umbrellas.	Y	
<b>FURNITURE</b>		
Parklet furniture is consistent with restaurant furniture.	Y	
Furniture materials conform to list of permitted materials.	Y	
Furniture colors conform to list of permitted colors.	Y	
<b>PLANT MATERIALS</b>		
Plant materials consistent with recommended list.	Y	
<b>MISTING SYSTEM</b>		
Misting system is integral with parklet structure.	N/A	
Post/beams to support misting system no more than 4"x4" and 96" high.	N/A	
<b>LIGHTING</b>		
Full cut-off fixtures or "Tivoli" lighting utilized.	Y	
Light bulbs are clear or white in color.	Y	
Post/beams to support lighting system no more than 4"x4" and 96" high.	Y	
Electrical cords do not pose tripping hazard.	Y	
<b>SIGNAGE</b>		
Signage does not exceed total amount permitted for restaurant.	Y	
Signage does not extend above top of railing or barrier.	Y	
<b>WAIVER – SHADE STRUCTURE</b>		
Structure allows for 7' min. clearance; max. 10' height.	N/A	
Structure does not extend past perimeter edge of parklet	N/A	
Structure canvas is non-flammable or flame retardant.	N/A	
Structure color is consistent with general color theme of restaurant.	N/A	
Notice provided to business owners/property owners within 150'.	N/A	
<b>WAIVER – EXTEND PAST TENANT SPACE</b>		
Consent provided from affected business owner, property owner.	Y	
Notice provided to business owners/property owners within 150'.	Y	

\* Waiver is required.

The applicant is requesting a waiver to extend the parklet past their business storefront. The following criteria is required for a waiver request:

- a. Business owners within one-hundred and fifty (150) feet of the proposed parklet, as measured along the same street frontage in either direction of the proposed parklet, have been notified of the waiver request at least ten (10) days in advance of the proposed meeting;
- b. Where the proposed parklet has obtained and submitted written consent from any affected business owner and property owner;
- c. The proposed waiver will not result in any significant impacts to adjacent businesses;
- d. The proposed waiver will not result in any significant impacts to public health, safety, or welfare.

The applicant has complied with the criteria listed above. A notice of the ARC meeting was mailed to adjacent business owners on March 24, 2022, written letters of approval were provided by the business owner at 138 and 144 S. Palm Canyon Drive and the property owner, Larry Michael Pitts. The parklet was initially constructed in 2020 due to COVID and has not negatively impacted adjacent businesses and has not resulted in any significant impacts to public health, safety, and welfare.

Upon completion, the proposed parklet will be an enhancement to the surrounding area. The parklet complies with the design standards set forth by the City Council, therefore, Staff recommends that the Architectural Review Committee approve, subject to the following conditions:

- Remove all metal planters.
- Remove K-rails, except for the safety K-rail on the north side of the parklet. Said K-rail shall be screened from the public view and installed behind parklet barrier.
- Remove all but one sign on the parklet structure.
- Reduce the width of the parklet to 8 feet, which should be measured from the face of curb to the light fixtures and the cantilever wooden structure.

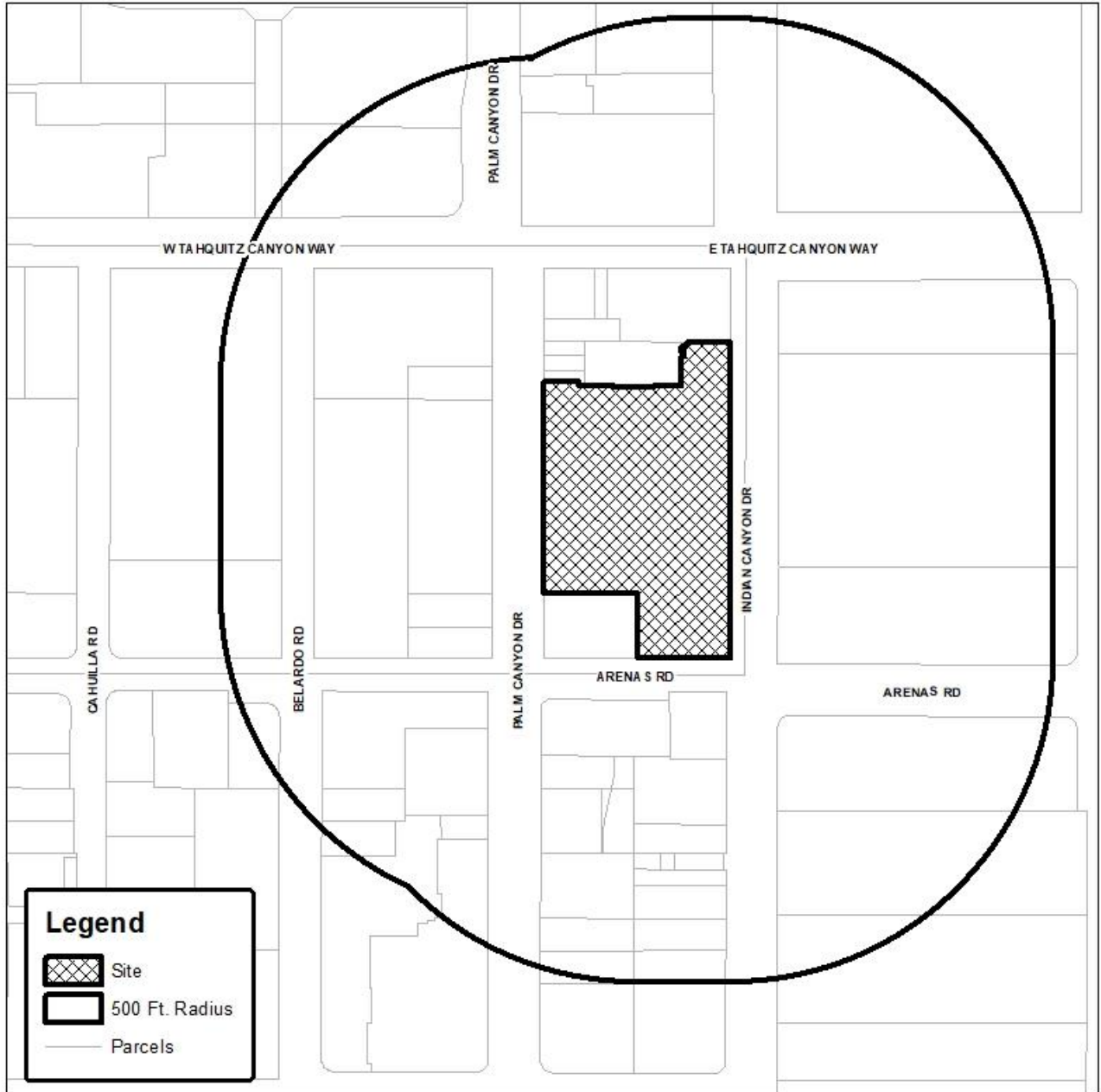
PREPARED BY:	Alex Perez, Assistant Planner
REVIEWED BY:	David Newell, AICP Assistant Director of Planning

ATTACHMENTS:

1. Vicinity Map
2. LUP Application
3. Public Integrity Disclosure Form
4. Property Owner Approval Letter
5. Approved Parklet Design Guidelines
6. Plans



# Department of Planning Services Vicinity Map



CITY OF PALM SPRINGS  
140 S Palm Canyon Drive



PARKLET

# CITY OF PALM SPRINGS

Department of Planning Services  
3200 East Tahquitz Canyon Way, Palm Springs, CA 92262  
Phone: 760-323-8245 ~ Fax: 760-322-8360

RECEIVED

DEC 30 2021

PLANNING SERVICES  
DEPARTMENT

## LAND USE PERMIT # 21-096

MINDY REED

Applicant: <del>CATE M... THE</del> <del>2 P... REED</del>	Mailing Address: 140 S. PALM C Palm Springs CA 92262	Phone: 760 409-9119 Fax: E-Mail: zini@ps@yahoo.com
Business Name: REED PUBLIC HOUSE	Site Address: 140 S. PALM CANYON DR PS	
APN: 513-144-009	Zone/GP: CBD / CBD.	Section, Township, Range: 15/4/4.

**PROCEDURE:** An application for a Land Use Permit shall be submitted to the Department of Planning Services, based upon:

1. Applications for special events require submission no less than 30-days prior to event date. This allows for proper processing and review by multiple City Agencies.
2. A floor plan and/or site plan displaying the layout of the proposal. Outdoor seating that encroaches into the public right-of-way will require an encroachment agreement or license, subject to the approval of the Director of Planning Services.
3. Such other information as the Director of Planning Services may require, including, but not limited to adjacent uses, photographs, building elevations, landscape plans, design studies, furniture information, etc.

**STATEMENT OF ACTIVITY:** Applicant shall submit a statement of the use, expected size, volume, hours, and length of operations; information relating to sanitation, noise, air pollution, vehicle parking, traffic circulation, and any other information of the proposed project.

PARKLET ON THE STREET  
PLANS TO BE SUBMITTED

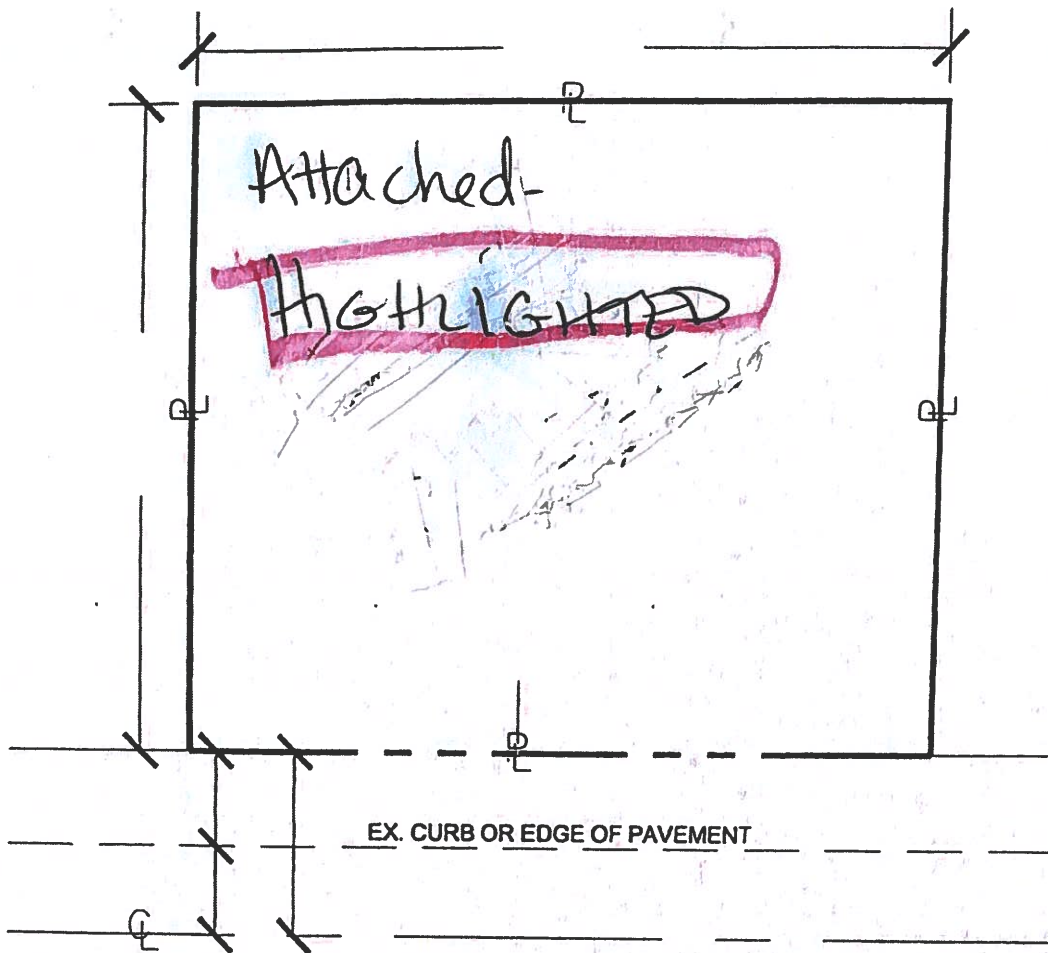
**CONDITIONS:** (see attached)

**TRANSFER:** Transfer of Land Use Permit to another applicant is subject to review and approval by the Director of Planning Services.

**REVOCATION:** The Director of Planning Services may revoke any Land Use Permit that does not meet or comply with conditions and requirements of this permit.

Applicant's Signature 	Date 12/30/21
---------------------------	------------------

LAND USE PERMIT # \_\_\_\_\_



### SITE PLAN

Please include locations of tables & chairs, fencing, on-site parking, proximity parking, sign location, and all other applicable structures (temporary or permanent).

BUSINESS NAME: REVER PUBLIC HOUSE

SITE LOCATION: 140 S. Palm Canyon Dr  
Palm Springs, CA 92264

TELEPHONE: 760-409-9119 FAX: \_\_\_\_\_

E-MAIL: Lin7ps@yahoo.com



CITY OF PALM SPRINGS

Department of Planning, Building & Community Development

3200 East Tahquitz Canyon Way, Palm Springs, CA 92262

Phone: 760.325.1000 Fax: 760.325.1001

LAND USE PERMIT

3/10/2022

Alex Perez  
Assistant Planner  
The City of Palm Springs  
3200 E Tahquitz Canyon Way  
Palm Springs, CA 92262

Re: **Approval for REVEL Public House / Café Med Inc's use of the parklet and sidewalk in front of 138 S Palm Canyon Drive as well as 144 S Palm Canyon Drive**

Dear Ms Perez,

Please be advised that I approve of the above referenced matter for both of these addresses with the additional approval of the business owner. I am the owner of both adjacent businesses to REVEL Public House

Sincerely,

Business owner of 138 and 144 S Palm Canyon Drive

**MANOEL MARCELO VALADAREZ**





City Planning,

As long as there is no objection from the neighboring businesses, Plaza Investment Company, Inc. gives permission to Revel Public House to continue using the city parking spaces and sidewalk in front of their business for their parklet.

Sincerely,

Plaza Investment Company, Inc.

*Michael Pitts*

By: Michael Pitts, Vice President

Plaza Investment Company, Inc.  
115 South Indian Canyon Drive • Palm Springs, CA 92262  
(760) 325-1347 • Fax (760) 320-0880




# PUBLIC INTEGRITY DISCLOSURE APPLICANT DISCLOSURE FORM

1. Name of Entity	CATE MED, INC
2. Address of Entity (Principle Place of Business)	140 S. PALM CANYON DR, PALM SPRINGS, CA
3. Local or California Address (if different than #2)	
4. State where Entity is Registered with Secretary of State	CALIFORNIA
If other than California, is the Entity also registered in California? <input type="checkbox"/> Yes <input type="checkbox"/> No	
5. Type of Entity	<input checked="" type="checkbox"/> Corporation <input type="checkbox"/> Limited Liability Company <input type="checkbox"/> Partnership <input type="checkbox"/> Trust <input type="checkbox"/> Other (please specify)
6. Officers, Directors, Members, Managers, Trustees, Other Fiduciaries (please specify) <i>Note: If any response is not a natural person, please identify all officers, directors, members, managers and other fiduciaries for the member, manager, trust or other entity</i>	
MINDY REED [name]	<input checked="" type="checkbox"/> Officer <input type="checkbox"/> Director <input type="checkbox"/> Member <input type="checkbox"/> Manager <input type="checkbox"/> General Partner <input type="checkbox"/> Limited Partner <input type="checkbox"/> Other _____
SALOMON SALGADO [name]	<input type="checkbox"/> Officer <input type="checkbox"/> Director <input type="checkbox"/> Member <input type="checkbox"/> Manager <input type="checkbox"/> General Partner <input type="checkbox"/> Limited Partner <input type="checkbox"/> Other _____
_____ [name]	<input type="checkbox"/> Officer <input type="checkbox"/> Director <input type="checkbox"/> Member <input type="checkbox"/> Manager <input type="checkbox"/> General Partner <input type="checkbox"/> Limited Partner <input type="checkbox"/> Other _____

7. Owners/Investors with a 5% beneficial interest in the Applicant Entity or a related entity	
<b>EXAMPLE</b>	
<i>JANE DOE</i>	<i>50%, ABC COMPANY, Inc.</i>
[name of owner/investor]	[percentage of beneficial interest in entity and name of entity]
A.	
[name of owner/investor]	[percentage of beneficial interest in entity and name of entity]
B.	
[name of owner/investor]	[percentage of beneficial interest in entity and name of entity]
C.	
[name of owner/investor]	[percentage of beneficial interest in entity and name of entity]
D.	
[name of owner/investor]	[percentage of beneficial interest in entity and name of entity]
E.	
[name of owner/investor]	[percentage of beneficial interest in entity and name of entity]

**I DECLARE UNDER PENALTY OF PERJURY UNDER THE LAWS OF THE STATE OF CALIFORNIA THAT THE FOREGOING IS TRUE AND CORRECT.**

Signature of Disclosing Party, Printed Name, Title 	Date 3/23/22
---	-----------------

**PENALTIES**

Falsification of information or failure to report information required to be reported may subject you to administrative action by the City.

## RESOLUTION NO. 24937

### ATTACHMENT A

#### Parklet Design Guidelines

##### A. General Requirements.

1. **Parklet Position and Dimensions.** For parallel on-street parking spaces, a parklet shall extend no more than eight (8) feet from the face of curb. Where the on-street parking space is less than eight (8) feet in width, the parklet shall extend no more than the width of on-street parking space and shall not extend into the lane of traffic. For diagonal or perpendicular on-street parking spaces, a parklet shall not extend no more than the depth of the on-street parking space and shall not be permitted to extend into the lane of traffic. A parklet shall not be permitted to extend beyond the frontage of the permittee's tenant space or property. For businesses that have frontage on two streets, a parklet shall only be permitted on one street frontage.
2. **Attachment.** Parklet structures or elements shall not be directly attached to the street pavement, curb, or sidewalk surface unless otherwise approved by the Director. A deposit shall be required where approval for such attachment is granted, and shall be equivalent to the cost, as determined by the Director, for repairing any resulting damage caused by the attachment or removal of the attachment and for restoring the street pavement, curb or sidewalk to its prior condition.

##### B. Platform Base.

1. **Base Required.** All parklets shall require a platform base. The finished floor height of the platform base shall be level with the elevation of the adjacent public sidewalk.
2. **Decking Materials.** Decking materials for the platform base may include the following:
  - a. Plastic or composite decking;
  - b. Treated wood decking;
  - c. Treated wood decking tiles;
  - d. Concrete pavers on a pre-engineered pedestal system.Other similar materials may be approved by the Director. Plywood decking or poured concrete is prohibited; synthetic turf, carpet, or similar coverings are prohibited.
3. **Color.** Platform decking and skirting materials shall be limited to black, grays, browns, natural wood finishes, and similar neutral colors appropriate to the desert environment.

4. Stormwater Management. Platforms shall be designed so as not to impede the flow of stormwater and drainage. A minimum 6" horizontal gap below the decking surface shall be provided between the curb face and base frame along the gutter to allow rainwater to naturally flow without obstruction. The permittee shall be responsible for keeping drainage area free from any obstructions.

C. Railing/Barrier.

1. Railing or Barrier Required. All parklets shall require a railing or similar barrier to protect the parklet and provide separation from the adjacent traffic lane.
2. Height. The railing or barrier shall be a minimum of 36" high from the finished deck surface of the parklet, and shall be a maximum of 43" high from the finished deck surface of the parklet.
3. Materials. Railing or barrier materials may include the following:
  - a. Steel, wrought iron, or aluminum;
  - b. Treated wood;
  - c. "Green walls" or espalier treatments.

Planters may be incorporated into the design of the railing or barrier, and may be constructed of the same materials as the railing or barrier; as an alternative, natural concrete pots, terracotta pots, or high-quality fiberglass or resin pots may be used when incorporated with the railing or barrier. Chain link, rope, wire/steel cable, wood lattice, prefabricated plastic/vinyl fencing, and concrete block are prohibited.

4. Attachment. Railings or barriers shall be attached to the deck or platform structure and shall not be attached to the roadbed or curb.
5. Color. The primary color of railings and barriers shall be limited to black, grays, browns, natural wood finishes, and similar neutral colors appropriate to the desert environment. Accent colors may be permitted for trim and other minor architectural details, where such accent color is consistent with the color theme of the principal restaurant facility.

D. Umbrellas and Other Shade Structures.

1. Umbrellas Preferred. Umbrellas are the preferred shading device for parklets so as to maintain visibility of adjacent businesses. Shade structures other than umbrellas may be approved by a waiver as described in this Section.
2. Height and Placement. Umbrellas and approved shade structures shall have a minimum seven (7) foot vertical clearance, as measured from the finished deck surface of the parklet to the bottom edge of the umbrella or shade structure, and shall not exceed a maximum of ten (10) feet in height from the

finished deck surface of the parklet. Umbrellas or other approved shade structures shall not extend past the perimeter edge of the parklet structure. Shade structures, if approved, shall be designed and positioned to minimize impacts and maintain visibility of adjacent businesses.

3. Materials. Umbrellas, sails, canopies, or other similar fabric shade structures shall be made with non-flammable materials or shall be treated and maintained in a flame-retardant condition.
4. Color. Umbrella and shade structure colors shall be consistent with the general color theme of the principal restaurant facility.
5. Text/Logos. No text or logos shall be permitted on umbrellas or other shade structures.

E. Furniture.

1. General Requirements. Parklet furniture and fixtures shall be consistent with the theme and details of the principal restaurant facility. Furnishings should be of quality materials and designed for outdoor use.
2. Materials. Furniture materials may be metal, finished wood, high-quality resin or polypropylene, vinyl, or other similar materials, and shall be consistent with the furniture utilized in the principal restaurant facility. Plastic furniture or non-commercial grade furniture is prohibited.
3. Color. Furniture colors shall be consistent with the color of the furniture utilized in the principal restaurant facility, or shall be consistent with the colors of the parklet materials.
4. Maintenance. The permittee shall properly maintain all furniture and fixtures, and shall repair or replace any furniture or fixtures that become damaged or faded.

F. Plant Materials.

1. General Requirements. The use of drought-tolerant plant materials is encouraged to screen and soften the appearance of the parklet structure. Plant materials shall be selected and maintained in such a manner so as to not impair visibility of adjacent businesses or create impacts to traffic safety.
2. Plant Materials. The following plant varieties are recommended:
  - a. Agave geminiflora
  - b. Carissa
  - c. Euphorbia splendens
  - d. Hesperaloe

- e. *Ixora coccinea*
- f. *Leucophyllum* sp.
- g. *Pedilanthus*
- h. *Pedilanthus*
- i. *Portulacaria*
- j. *Russelia*
- k. *Variegated Dianella*
- l. *Yucca pallida*
- m. *Yucca whipplei*

Other similar drought-tolerant vegetation may be approved by the Director.

3. **Maintenance.** All plant materials shall be well maintained by the permittee to avoid excessive growth that may interfere with visibility or accessibility; planters shall be kept free of litter and debris. The permittee shall be responsible for proper maintenance of all plant materials, and shall immediately remove and replace any dead plant materials.

#### G. Lighting/Misting Systems.

1. **Misting Systems.** Misting systems are encouraged, and shall be designed to be integral to the structure of the parklet. Posts and beams may be used to support and conceal the misting system, but shall be limited to no more than 4" x 4" in width and no more than 96" in height, as measured from the deck surface of the parklet structure. Water supply for the misting system shall not be permitted to extend onto the public sidewalk or other location that may cause tripping hazards. Misting systems shall be capped off when not in use.
2. **Lighting.** Lighting for the parklet shall be designed to control glare, minimize light trespass onto adjacent properties, and avoid interference with the safe operation of motor vehicles. Lighting should incorporate full cut-off fixtures; however, bare bulbs (e.g. "Tivoli lighting") may be permitted where bulbs with a lower lumen output are used and glare issues are not created, as determined by the Director. Light bulbs shall be clear or white in color; LED fixtures are encouraged. Posts and beams may be used to support the lighting system, but shall be limited to no more than 4" x 4" in width and no more than 96" in height, as measured from the deck surface of the parklet structure. Blinking, moving, or changing intensity of illumination is not allowed. Electrical cords shall not extend onto the public sidewalk or other location that may cause tripping hazards.

#### H. Safety Requirements.

1. **Wheel Stops Recommended.** Wheel stops shall be installed at each end of the parklet structure when directed by the Director. Wheel stops shall not be required where a parklet is directly adjacent to a landscape island or sidewalk bulb out.

2. Concrete Barriers. Concrete barriers (“k-rails”) may be required by the Director due to specific traffic or street conditions adjacent to the parklet location. When required, a five (5) foot concrete barrier shall be placed at the leading edge of the parklet structure relative to the direction of travel. The concrete barrier shall be covered with wood or other appropriate treatment so that the appearance of the barrier is consistent with the railing or barrier utilized on the remaining sides of the parklet structure. Alternate barrier techniques may be approved provided traffic safety and visibility are not compromised.
3. Retroreflective Tape. Retroreflective tape shall be required at the exterior corners of the parklet railing or barrier, relative to the direction of travel. The Director may approve alternative materials or techniques provided traffic safety and visibility are not compromised.

I. Signage.

1. No Additional Signage Permitted. No additional signage shall be permitted for the parklet other than the signage that is allowed for the principal business pursuant to PSZC Chapter 93.
2. Substitution of Signage Types. Where a permittee has not utilized an Accessory Sign or Portable Sign for the principal restaurant business, as those sign types are defined in PSZC Chapter 93, the equivalent square footage of either sign type may be utilized for signage that is to be affixed to the parklet structure. However, no more than one (1) sign may be allowed for the parklet structure.
3. Signage Location. Any allowable signage shall be placed on the parklet railing or barrier, and shall not extend above the top of the railing or barrier.
4. Applicable Sign Regulations. All other sign regulations and requirements, as identified in PSZC Chapter 93, shall be applicable to any signage utilized for the parklet structure, including illumination requirements, prohibited sign types, permit requirements, and all associated regulations.

J. Approval Process and Criteria.

1. Application Submittal. An applicant for the establishment of a parklet shall submit a Land Use Permit application upon such forms as may be established by the Department, and shall be accompanied by such fees as may be established by the City Council. The application shall be signed and notarized by the property owner of the principal business that is submitting the application. Application materials shall include, but not be limited to, the following items:
  - a. A site plan of the parklet, drawn to scale;



- b. Elevations of the parklet, showing the height and construction details of the parklet;
  - c. Materials and color selections for the parklet platform base, railing or barrier, posts/beams;
  - d. Proposed furniture selections;
  - e. Proposed umbrella or shade structure materials and colors;
  - f. Proposed plant materials;
  - g. Proposed lighting and misting systems;
  - h. Any signage proposed for the parklet; and
  - i. A list of waivers the applicant is seeking, if any.
2. Parklet Review Subcommittee. There is hereby established an ad hoc Parklet Review Subcommittee, which shall consist of up to three (3) members of the Architectural Review Committee. The subcommittee members shall be appointed and removed by the Chair of the Architectural Review Committee, and shall serve at the pleasure of the Chair as needed for the duration of the parklet program. Alternates to the subcommittee may be appointed by the Chair as needed. The role of the subcommittee is to review parklet applications not requiring a waiver and to consult with and advise the Director as to conformance to the criteria contained in this Section. After consulting with the subcommittee, the Director shall render a decision as to any parklet application that does not require a waiver.
3. Approval Authority. The approval authority for Land Use Permit applications to establish a parklet use shall be as follows:
  - a. Parklet Use with No Waivers. For applications where no waivers of these Design Guidelines are requested, the Director shall be the approval authority, in consultation with the Parklet Review Subcommittee.
  - b. Parklet Use with Waivers. For applications where waivers of these Design Guidelines are requested, the Architectural Review Committee shall be the approval authority. Meetings and actions of the Architectural Review Committee shall be conducted pursuant to the Brown Act and in accordance with the Committee's bylaws.
4. Director's Criteria and Findings for Parklet Use with no Waivers. In considering a Land Use Permit application for the establishment of a parklet with no waivers, the Director, in consultation with the Parklet Review Subcommittee, shall evaluate the application and make findings for conformance to the following criteria:
  - a. The proposed parklet design conforms to the Parklet Design Guidelines as listed herein;
  - b. The proposed colors and materials are consistent with colors and materials of the principal restaurant business;
  - c. The proposed parklet design is consistent and harmonious with the architectural character of surrounding businesses.

If the Director finds that these criteria have been met, the Director shall issue the Land Use Permit for the parklet use, subject to those reasonable terms and conditions consistent with the Design Guidelines.

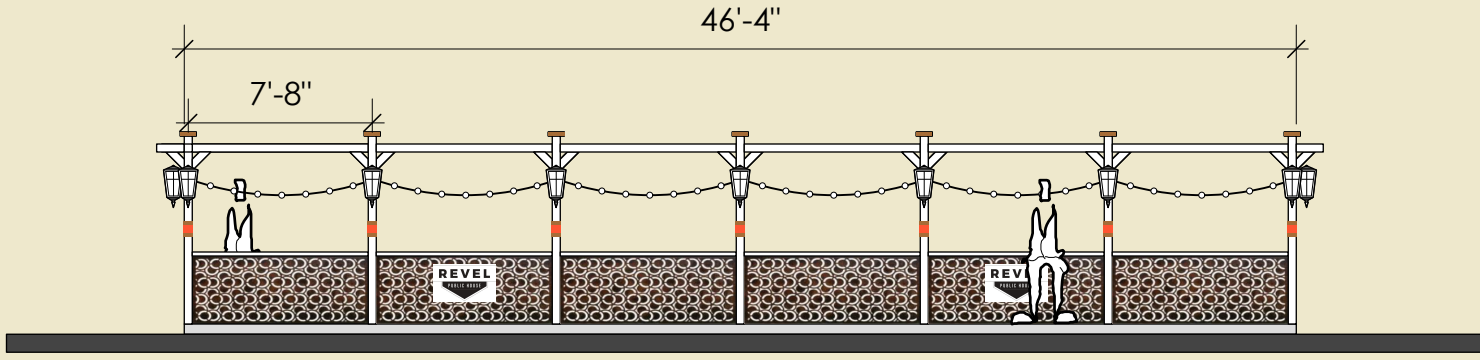
5. Criteria for Waivers of the Parklet Design Guidelines. In considering a Land Use Permit application for that includes a waiver of these Design Guidelines, the Architectural Review Committee shall evaluate the application and make the following findings prior to approving a waiver:
  - a. Business owners within one-hundred and fifty (150) feet of the proposed parklet, as measured along the same street frontage in either direction of the proposed parklet, have been notified of the waiver request at least ten (10) days in advance of the proposed meeting;
  - b. Where the proposed parklet will extend in front of an abutting business or property, the permittee has obtained and submitted written consent from any affected business owner and property owner;
  - c. The proposed waiver will not result in any significant impacts to adjacent businesses;
  - d. The proposed waiver will not result in any significant impacts to public health, safety, or welfare.

K. Operational Requirements.

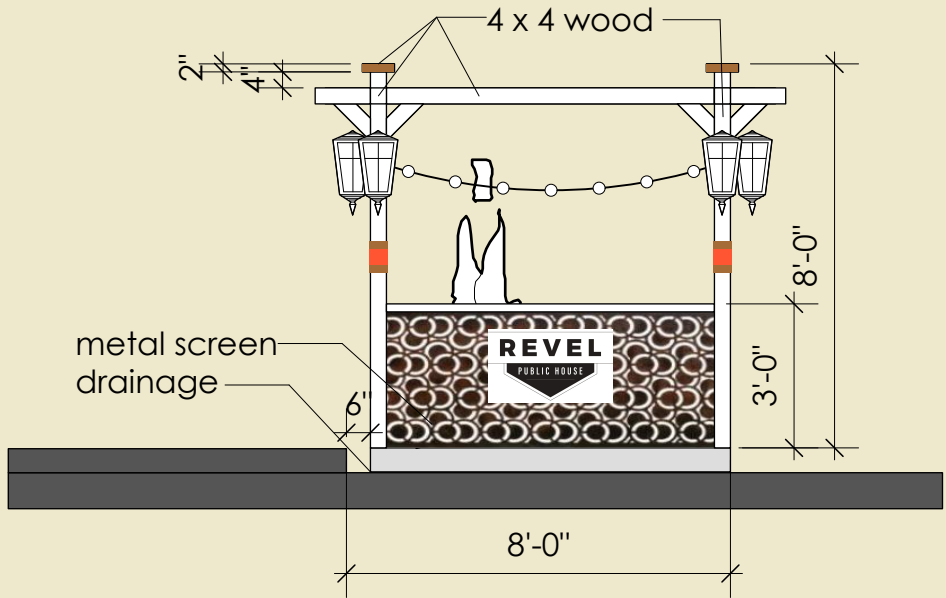
1. Parklet Use. The establishment of a parklet may be permitted for dining and cocktail lounge uses only. Nightclub uses, merchandise sales, or other commercial uses are prohibited.
2. Hours/Days of Use.
  - a. Hours of Use. The permittee shall be required to operate the parklet for the minimum hours and days per week as listed below:
    - (1) Winter Period (October 1 to May 31). Parklets shall be in operation for a minimum of thirty-six (36) hours per week.
    - (2) Summer Period (June 1 to September 30). Parklets shall be in operation for a minimum of twenty-four (24) hours per week.
  - b. Appearance of Parklet – Operating Hours. The parklet area shall be set up with tables and chairs and ready to receive customers during all hours that the principal business is open to the public.
  - c. Appearance of Parklet – Non-Operational Hours. Tables, chairs and umbrellas may remain in the parklet area when the principal business is closed to the public. Chairs may be stacked within the parklet area for periods of twelve (12) hours or less. As an alternative, all furnishings and equipment may be removed from parklet and stored in an indoor location.
  - d. Waiver. Any closure or suspension of use of the parklet for periods of greater than fourteen (14) days shall require approval of the City Manager. In submitting the request, the permittee shall provide a plan for addressing

the appearance and maintenance of the parklet during the suspension period.

3. Storage. No items, other than dining items (tables, chairs, and umbrellas), may be stored within the parklet area. All other equipment or furnishings, including heaters, host/hostess stands, and similar items must be stored indoors when not in use.
4. Music. Music in the parklet area shall be permitted pursuant to Chapter 92 of the Palm Springs Zoning Code (PSZC). No exceptions to the Noise Ordinance are permitted.



elevation to palm canyon 1/8" = 1'-0



north elevation, south similar 1/4" = 1'-0

## PARKLET

- A. Position and dimensions submitted and attached.
- B. Platform Base
  - 1. Framed and level with adjacent public sidewalk (example to be code compliant for parklet decking)



- 2. Flooring, washable and non slip

Examples below - exact style TBD by contractor



Pavers to match city pavers

or Composite Organic Bamboo decking

- 4. Minimum 6" gap to allow drainage. Non slip clean-out will be included to keep free from obstructions.

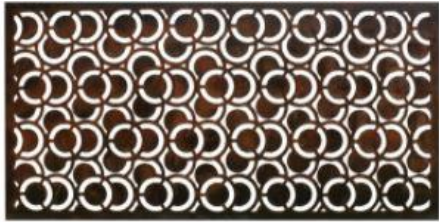
Examples below exact style TBD by contractor



C. Railing / Barrier

1. K-Rail at North and South ends. Wood and metal screen to protect and provide separation from traffic lane. Maximum 43" high from finished deck surface
2. K-Rail to be covered within framed North and South ends with planters with approved plants
3. Colors shall be coordinated with the brown / beige / rust to match current restaurant facility.

Rust brown metal screen 36x48 inserted in wooden frame. Wood behind frame painted with reflective paint to be reflective at night.



D. Use of current umbrellas, in rust red and beige to be inside both sidewalk and parklet structures.

Non flammable Sunbrella commercial umbrellas



E. Use of current furniture

As in photos above and below



F. Potted plants to be used where space allows to create space and friendly environment.

1-Rosemary provides pleasant scent and is very hardy    2 – Approved plant



Possible reuse of current succulents' dependant on spacing



G. Lighting / Misting Systems

Both to come from building exterior across sidewalk at 96" high attached to posts

1. Misting system to be installed as on 2x2 metal posts with airline cable wires



2. Lighting shall be white LED string lights attached to posts

3. Attached above

## H. Safety Requirements

1. Addressed above, K-Rail enclosed in wood or metal screen with reflective corners and inside



2. Black Wheel Stop with White Reflective stripes (if allowed I would like to have this)



## I. Signage

1. Permittee will apply for substitute signage to be attached to parklet due to limited sidewalk space for Portable Sign or Accessory Sign. Signage to be covering the framed in K-Rail, professionally done, centered with reflective paint on corners This will be done as required in items 3 and 4





North End



South End

## J. Approval Process

Permittee is sending approval letter from next door tenant and land lord

