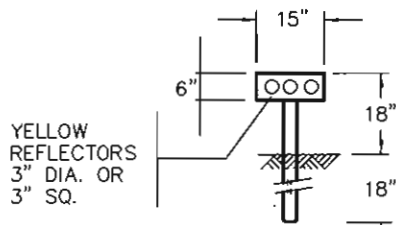
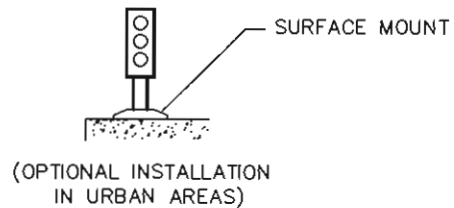


NO.	REVISIONS	APPROVED	DATE

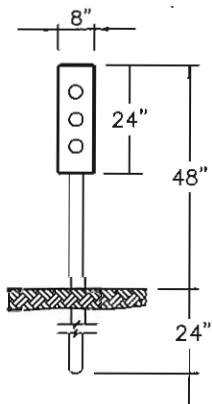


K-1

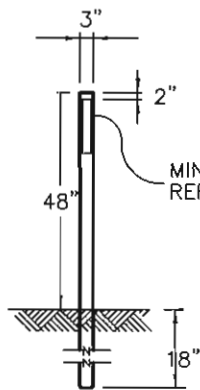


K-4

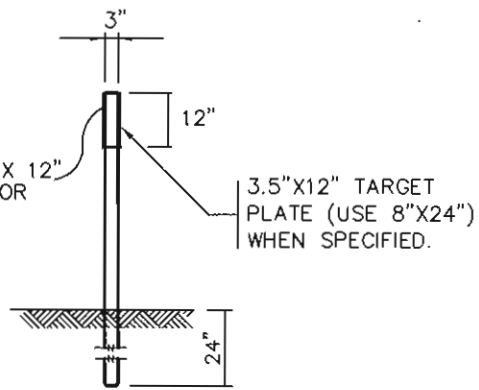
TYPE K



TYPE L

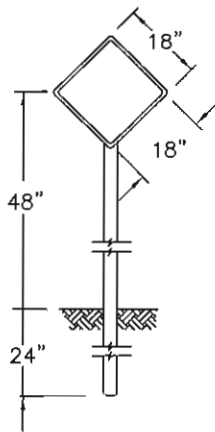


CLASS 1 FLEXIBLE POST

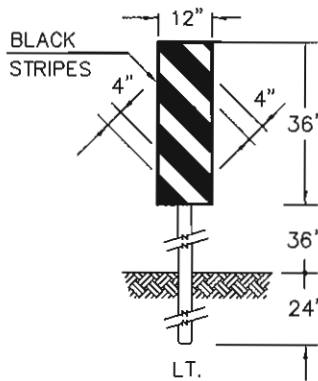


CLASS 2 METAL POST

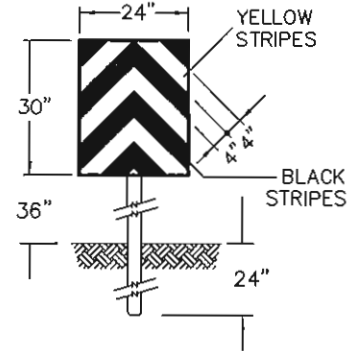
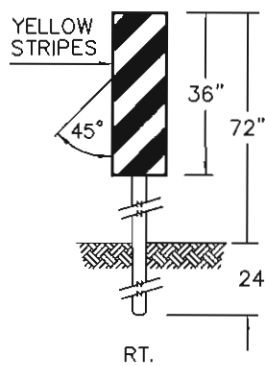
DELINEATORS



TYPE N




TYPE P



TYPE R

- N-1 = HI-INTENSITY YELLOW REFLECTIVE BACKGROUND
- N-2 = HI-INTENSITY RED REFLECTIVE BACKGROUND
- N-3 = HI-INTENSITY ORANGE REFLECTIVE BACKGROUND

<p align="center">CITY OF PALM SPRINGS PUBLIC WORKS & ENGINEERING DEPARTMENT</p>	<p>APPROVED: </p>	<p>DATE: <u>12/8/07</u> 28931</p>
	<p>CITY ENGINEER</p> <p>DRAWN BY: G.F.F.</p> <p>CHECKED BY: M.L.F.</p>	<p>R.C.E.</p> <p>FILE NO. STANDARDS</p> <p>DWG. NO. 650</p>

**TYPICAL OBJECT MARKERS
AND DELINEATORS**