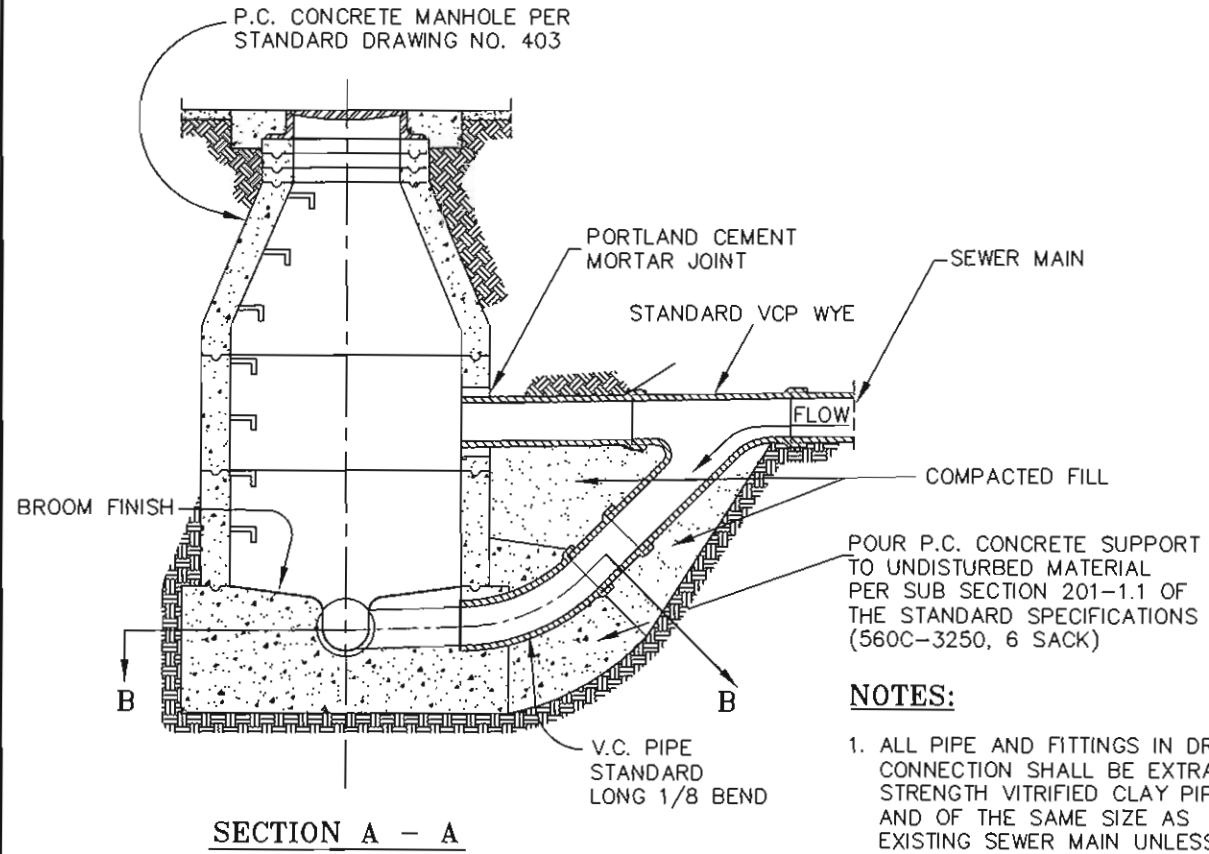


NO.	REVISIONS	APPROVED	DATE

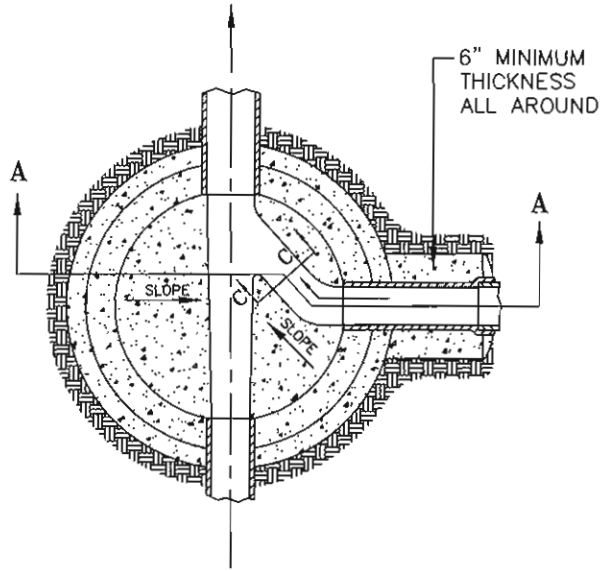


**SECTION A - A**

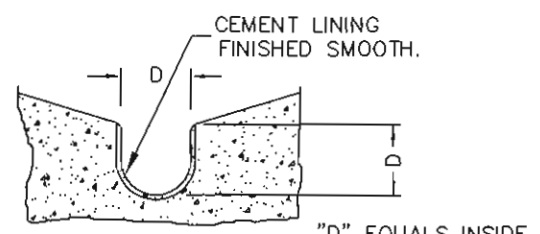
POUR P.C. CONCRETE SUPPORT TO UNDISTURBED MATERIAL PER SUB SECTION 201-1.1 OF THE STANDARD SPECIFICATIONS (560C-3250, 6 SACK)

**NOTES:**

1. ALL PIPE AND FITTINGS IN DROP CONNECTION SHALL BE EXTRA STRENGTH VITRIFIED CLAY PIPE AND OF THE SAME SIZE AS EXISTING SEWER MAIN UNLESS OTHERWISE SHOWN ON THE PLANS.
2. DROP SECTION CHANNEL IN MANHOLE SHALL BE FORMED FOR 8" DIAMETER PIPE UNLESS OTHERWISE SHOWN ON THE PLANS.
3. CHANNEL INVERTS SHALL BE TRUE TO GRADES AND ALIGNMENT AND FINISHED SMOOTH.
4. EXISTING SEWER LINES SHALL BE INSPECTED VIA VIDEO CAMERA BEFORE AND AFTER CONSTRUCTION
5. NEW SEWER LINES SHALL BE INSPECTED VIA VIDEO CAMERA



**SECTION B - B**



**SECTION C - C**

**CITY OF PALM SPRINGS**  
 PUBLIC WORKS & ENGINEERING DEPARTMENT  
**SEWER MAIN DROP MANHOLE CONNECTION**

APPROVED: *[Signature]* DATE: *[Date]*  
 28931  
 CITY ENGINEER R.C.E.  
 DRAWN BY: G.F.F. FILE NO. STANDARDS  
 CHECKED BY: M.L.F. DWG. NO. 406